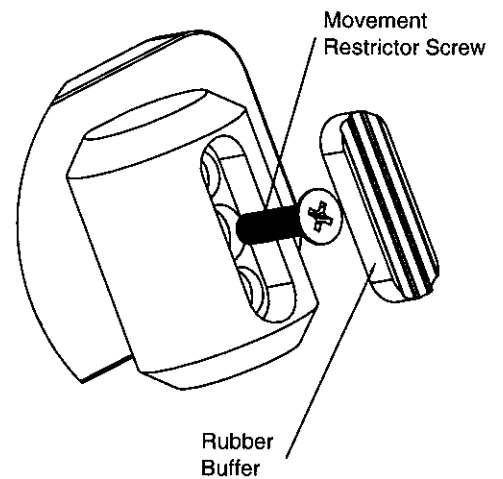
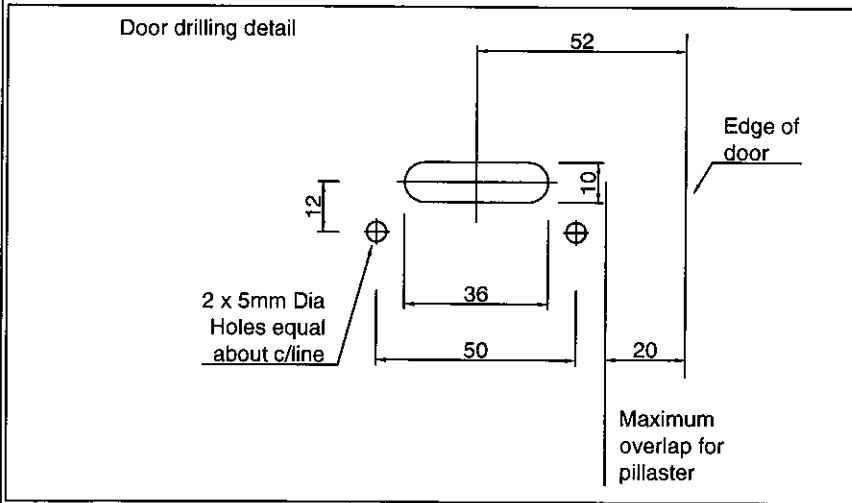
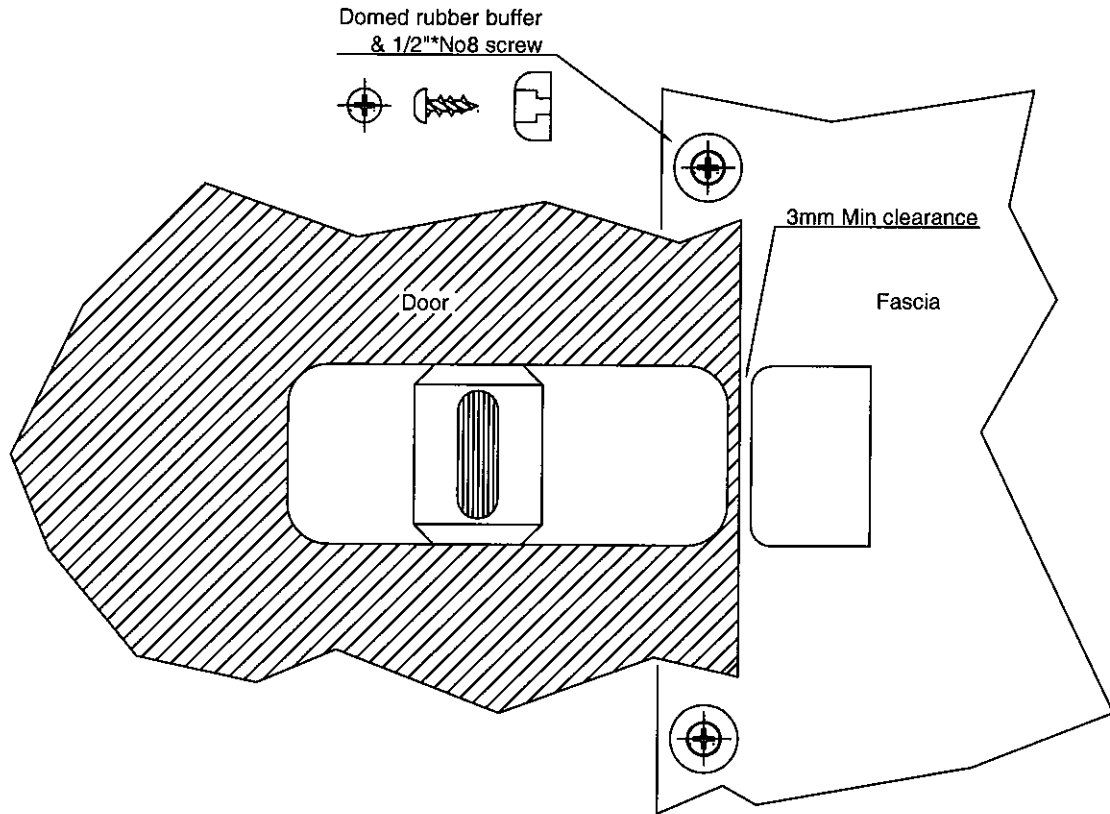


Product Specification Sheet

Part No.	Description	Last Updated
IBCHAL13	Challenger Indicator Bolt, Inward Opening Fixing Details (13mm)	06-06-06



1. The door preparation for the indicator bolt requires two holes and a slot machining in the panel.
2. The first step is to decide the centre height of the indicator bolt (this is usually a matter of personal preference).
3. Mark the horizontal centreline of the bolt from the edge of the door to a distance approximately 100mm in.
4. Mark off and machine the door as shown on the drawing.
5. Fit the red/green signal into the Indicator face plate, ensuring that the red sticker is closest to the centre of the door and that the flat side of the face plate is towards the outside of the door. Identify the two M4x25mm machine screws and fit these through the 'T' shaped locking plate and door into the face plate and tighten.
6. Slide the housing assembly onto the 'T' shaped locking plate. Using the M4x45 machine screw provided, screw through the handle and locate into the signal pocket.

7. Fit the M5x20 movement restrictor screw to the handle centre hole and tighten firmly. Fit the rubber buffer to the handle slot.
8. Fit the two rubber buffers onto the back of the fascia approximately 150mm from the line of the top and bottom of the door.
9. To fit the keep close the door and slide the bolt into the unlocked position.
10. Mark the back of the fascia using template provided DWG No:IOKEEPTEMP.
11. Drill a 5mm hole to a depth of 8mm to accept the roll pin protruding from the back of the keep.
12. Drill 10mm hole through and fit keep using allthread and 'T' nut