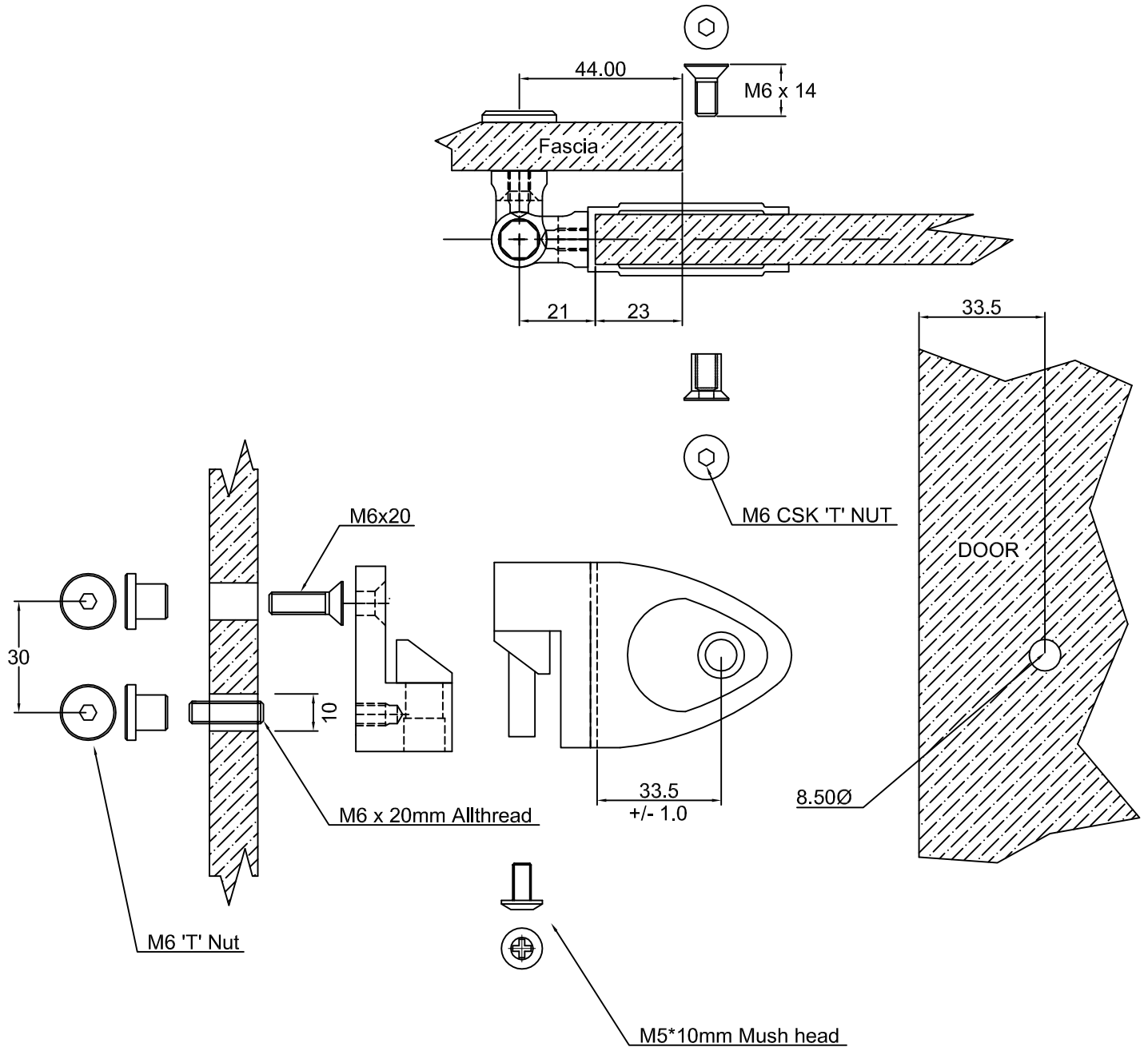


Product Specification Sheet

Part No.	Description	Last Updated
HCHAL13	Challenger Hinge (Pair) Through Fix Fascia Fixing Details (13mm)	20/02/08



The hinges are secured to the panels by 'T' Nuts, Allthreads and Machine Screws. The drilling details are laid out in the detail of this sheet and the following page. The only criteria to be decided prior to making the holes is which way the doors have to fall, i.e. open or closed. Once decided the measurements from the drawings can be transferred to the panels and the holes drilled 10mm Dia in the fascia and 8.5mm in the door. It is very important to be accurate when drilling for the hinges to ensure quite and trouble free operation.